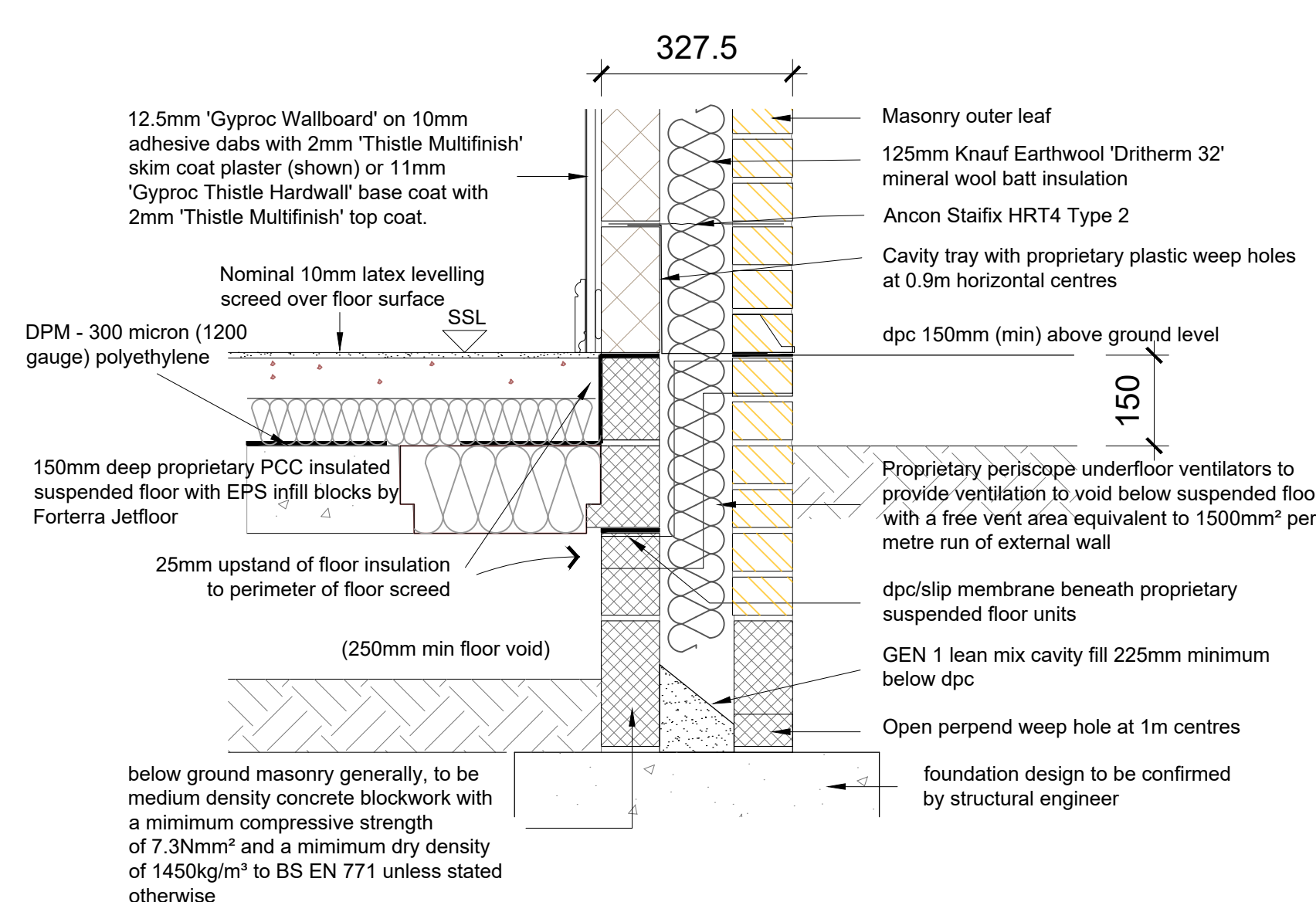
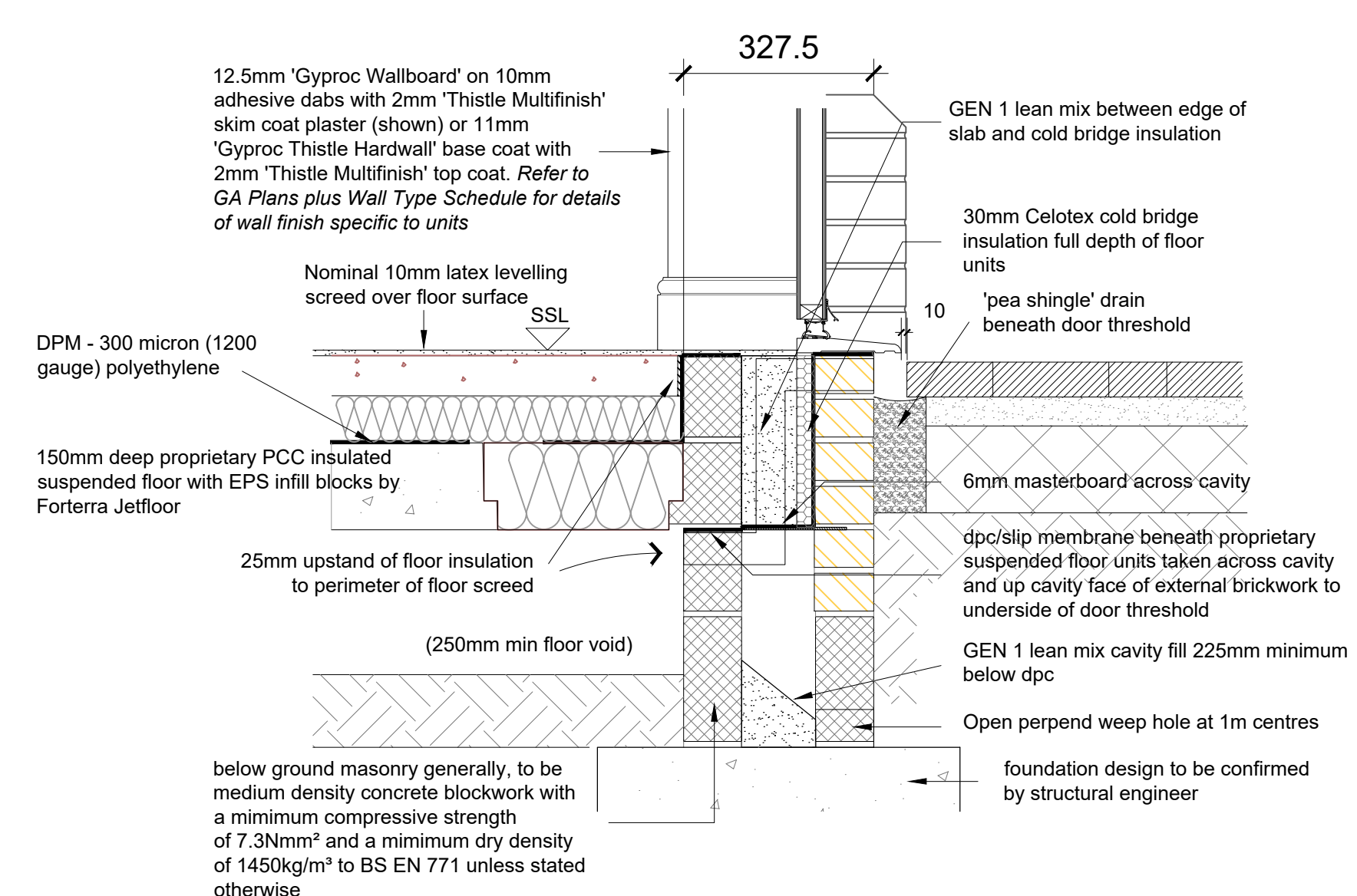


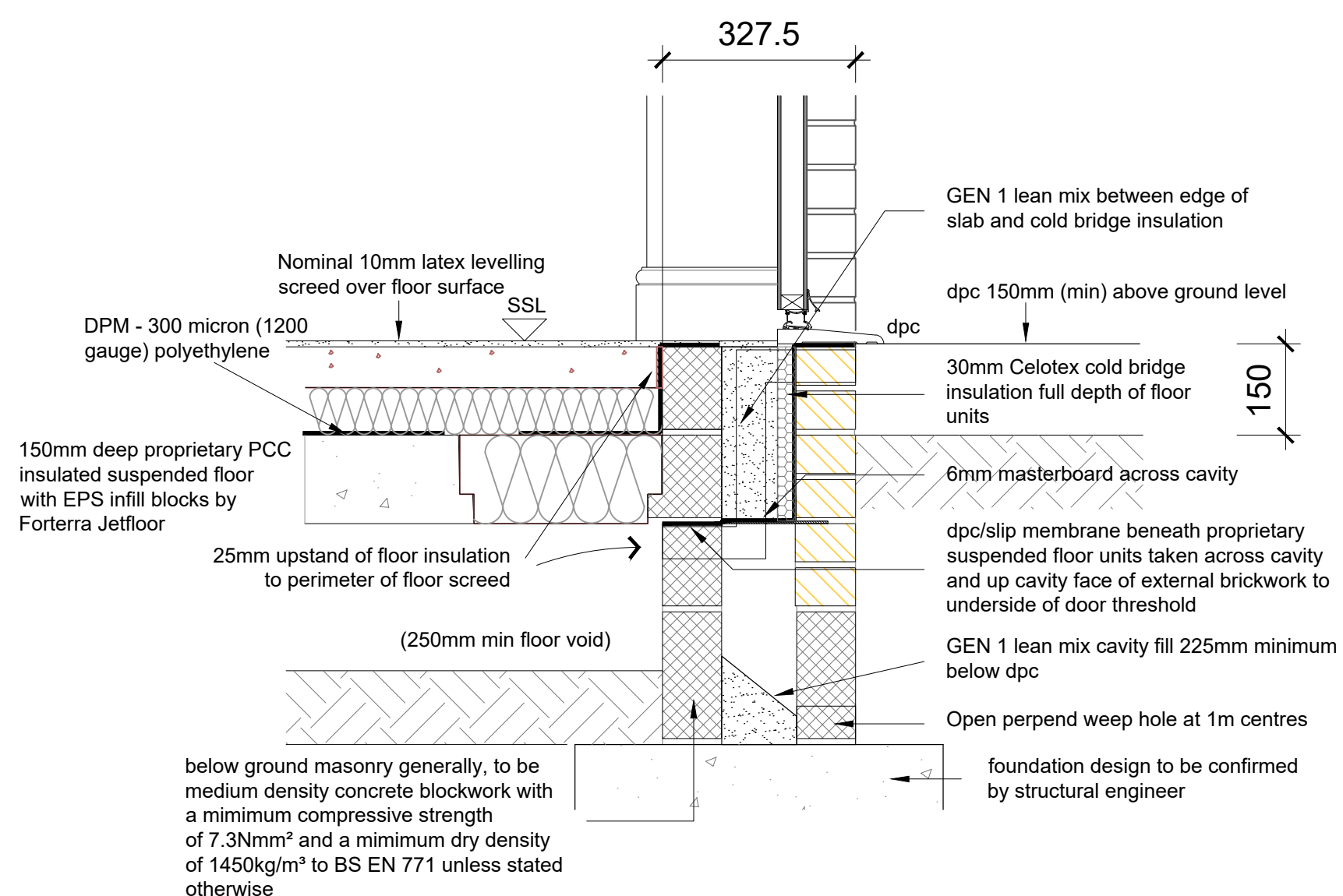
Det: A - External (Flanking) Wall Junction Ground Floor scale 1:10
(With brick plinth to brick wall)



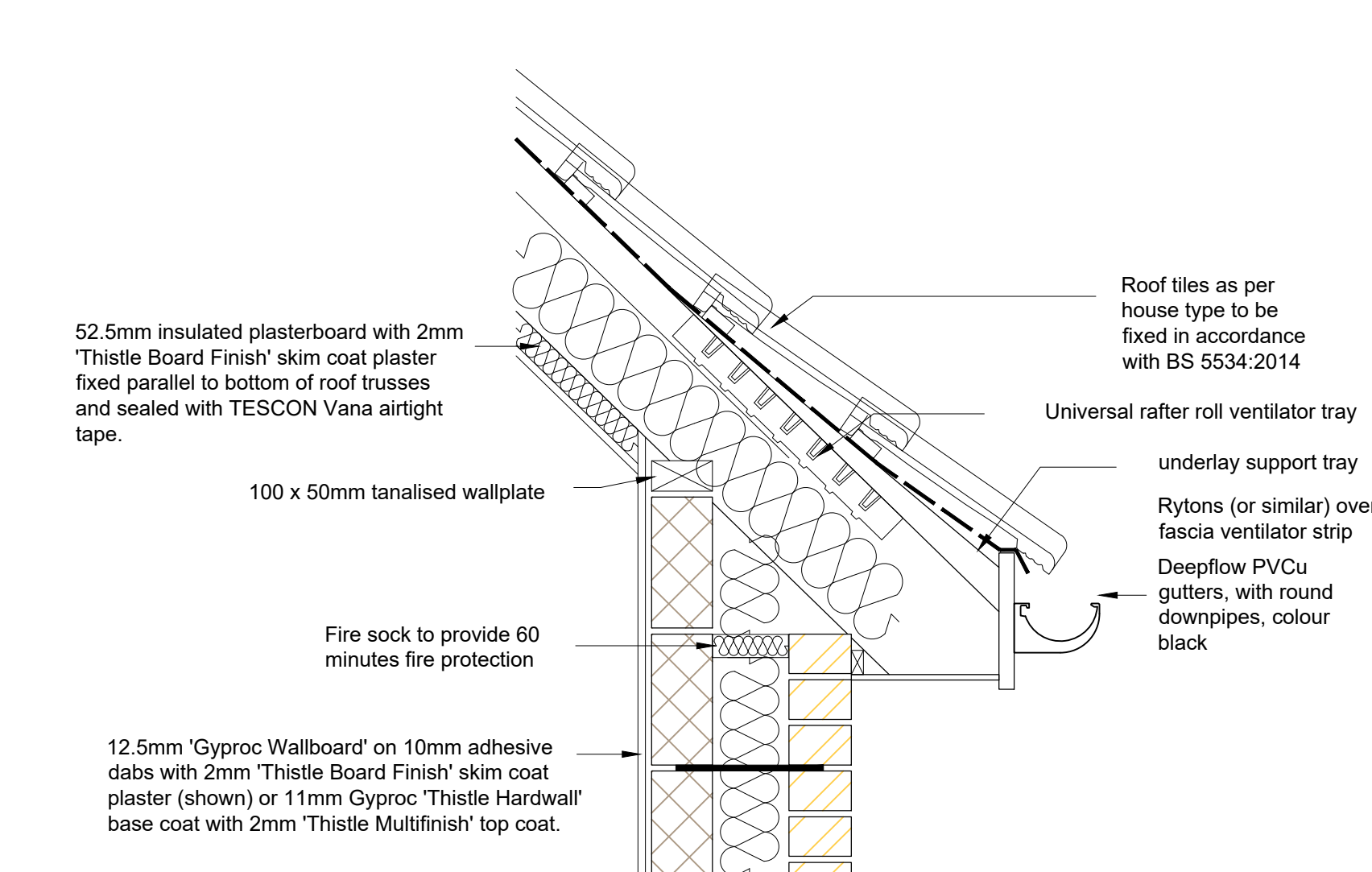
Det: B - External (Flanking) Wall Junction Ground Floor scale 1:10



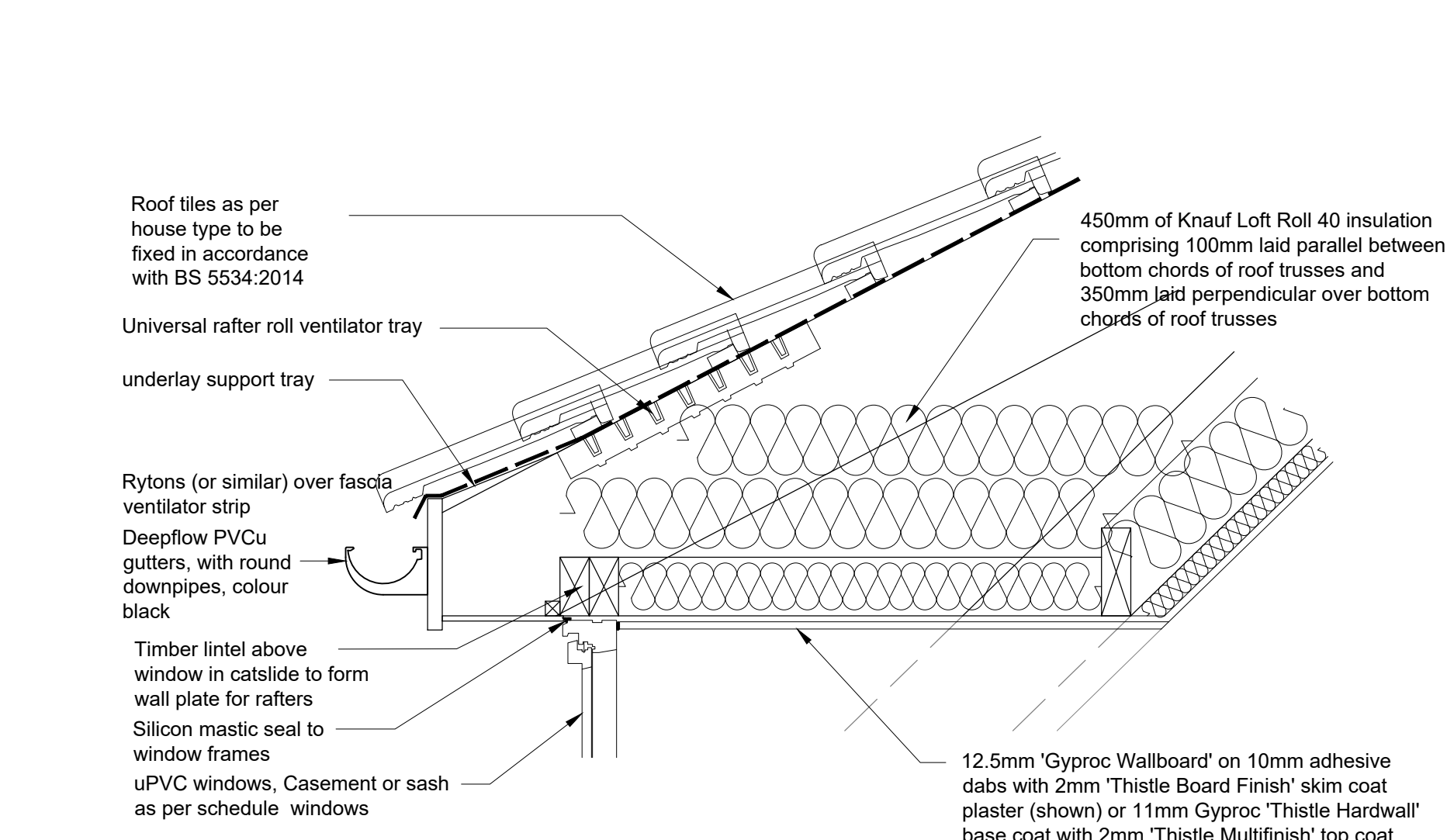
Det: C - Level Entrance Door Threshold scale 1:10



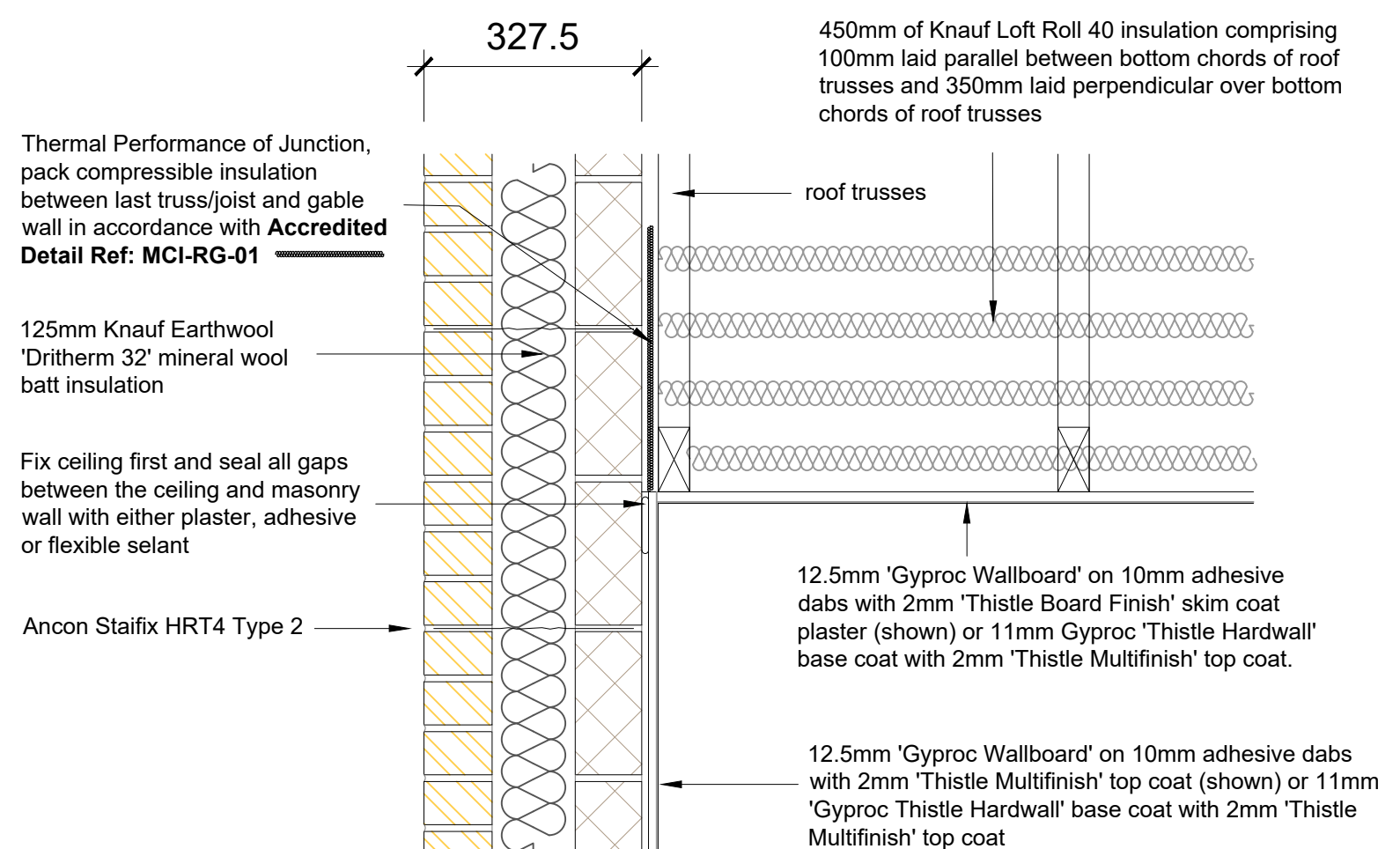
Det: D - External Stepped Entrance Door Threshold scale 1:10



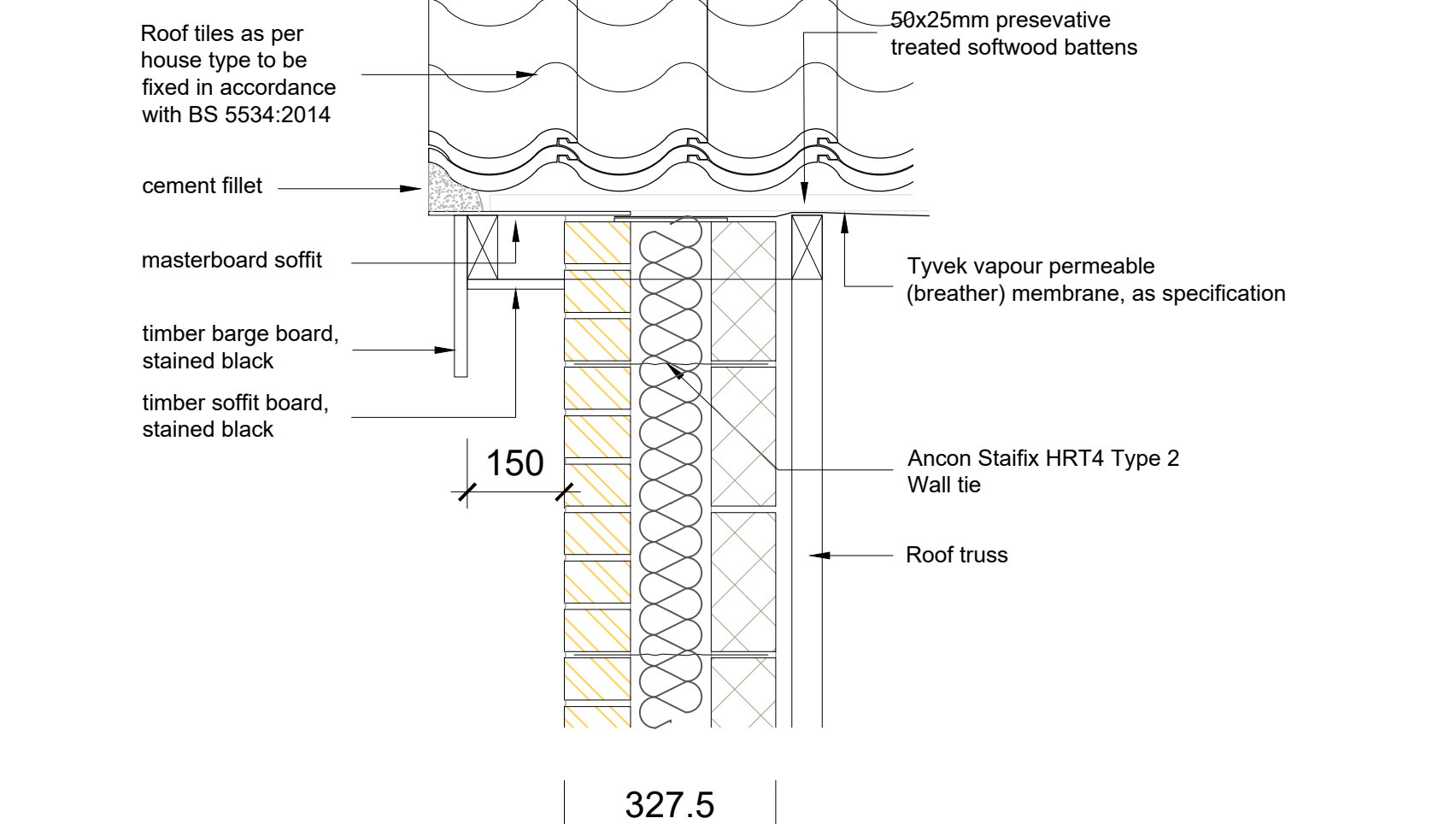
Det: E - Eaves Detail scale 1:10



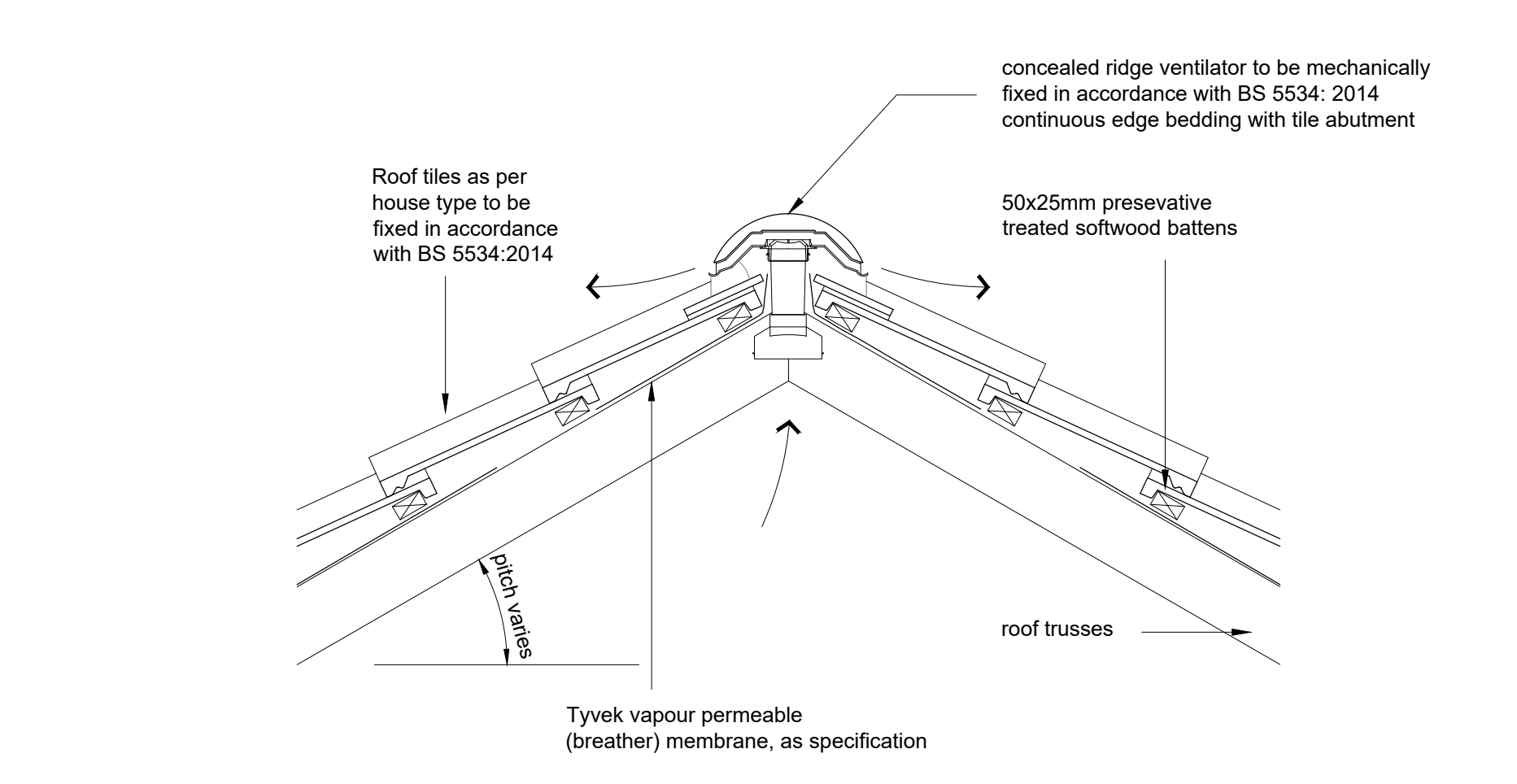
Det: F - Eaves/Window Head Detail scale 1:10



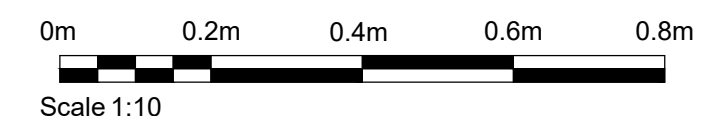
Det: G - Pitched Roof Ventilated loft Gable scale 1:10



Det: H - Verge Detail scale 1:10



Det: I - Ventilated Ridge Detail scale 1:10



C1	23.10.19	Draft Issue	DAG	DAG
Rev:	Date:	Description:	Chk:	Apr.

WT Design Ltd
Architectural Consultants

Unit 1
Burlingham Business Centre
North Burlingham
Norfolk
NR13 4TA
t: 01603 389422
e: info@wtodesign.co.uk

Project:
Land adj. Cherry Tree Barn
Norwich Road
Besthorpe

Drawing Title:
House Type A
Detail Sheet 1

Client:
Mr & Mrs Panter

Scale:
As Indicated

Date:
23.10.19

Project Number:	Drawing Number:	Revision:
127-19 - 1203	1203	C1

Construction